

Job Name: _____

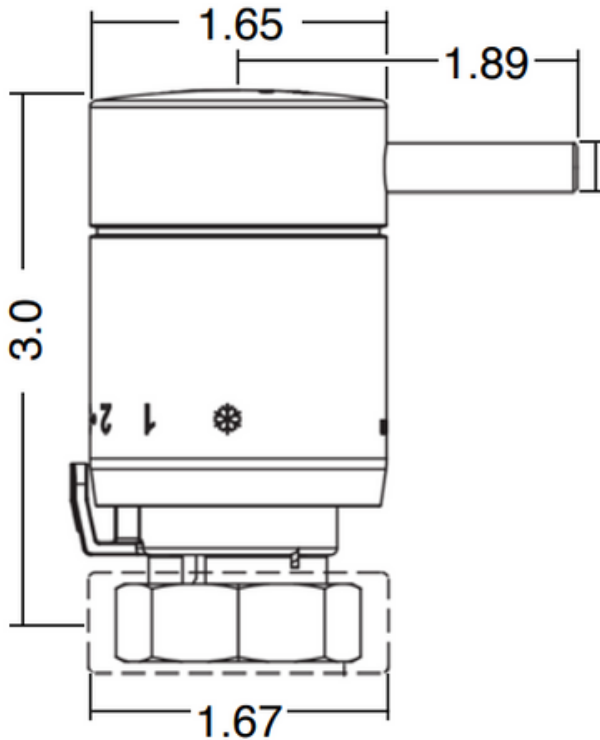
Submitted by: _____ Date: _____

Spec Section: _____

Job Location: _____

Engineer/Architect: _____

Approval: _____ Date: _____



Temperature Settings

0 = isolation of the radiator

* = Frost protection symbol (in this position the valve opens automatically when room temperature drops below 7°C or 44°F.)

- 1 = 12°C or 54°F
- 2 = 16°C or 61°F
- 3 = 20°C or 68°F
- 4 = 24°C or 75°F
- 5 = 28°C or 82°F



The minor graduations between the figures 2 - 4 represent a change of room temperature of 1°C or about 2°F.

Product specification:

The "Pinox" represents quality with a modern look and feel. The thermostat has a lever control for easy and precise temperature adjustment. It creates an even, comfortable room environment by modulating the heat flow through the radiator, thereby eliminating temperature fluctuations.

The "pinox" has been presented with many prestigious design awards for its modern look, style and functionality

Materials:

Chrome-plated steel

Specifications:

Adjustment range: 45°F - 82°F (7°C - 28°C)

Settings: 0 - 5

Sensor type: * Liquid

Ambient temperature range: 32°F-122°F (0°C-50°F)

Maximum fluid temperature: 248°F

Items:

Chrome model	101 21 65
White model	101 21 66