

Job Name: \_\_\_\_\_

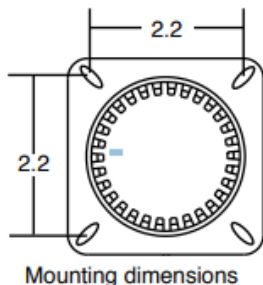
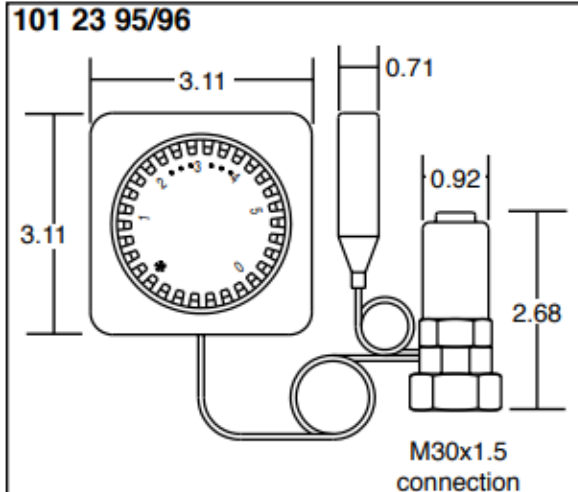
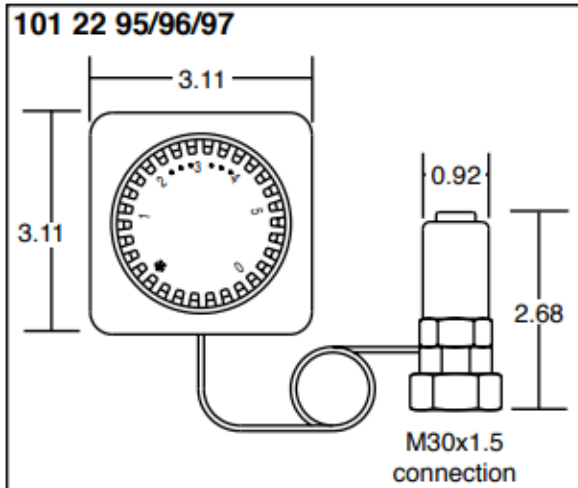
Job Location: \_\_\_\_\_

Submitted by: \_\_\_\_\_ Date: \_\_\_\_\_

Spec Section: \_\_\_\_\_

Engineer/Architect: \_\_\_\_\_

Approval: \_\_\_\_\_ Date: \_\_\_\_\_



**Product specification:**

OVENTROP-Thermostat with remote control  
"Uni FH"

for the control of underfloor convectors or hidden radiators. To prevent unauthorized tampering, the setting of the thermostat can be either limited or locked for the desired temperature. The thermostat has a frost protection setting to allow for minimal flow through the radiator if the temperature in the room drops below 44°F.

Suitable for valves with connection thread M 30 x 1.5 as well as integrated distributors with connection thread M 30 x 1.5.

Temperature range 45-82°F (7°C - 28°C)

Graduation on cap 0 \* 1-5

Temperature settings:

- 0 = radiator isolation
- \* = Frost protection
- 1 = 12 °C or 54 °F
- 2 = 16 °C or 61 °F
- 3 = 20 °C or 68 °F
- 4 = 24 °C or 75 °F
- 5 = 28 °C or 82 °F

Material: Fiber reinforced Nylon

Connection: M30 x 1.5

white model  
with '0' setting

capillary 6.5 ft long	101 22 95
capillary 16 ft long	101 22 96
capillary 33 ft long	101 22 97

as above but with additional remote sensor

capillary 6.5 ft long	101 23 95
capillary 16 ft long	101 23 96

**Temperature limiting and locking:**

To prevent unauthorized tampering, the setting of the thermostat can be either limited or locked for the desired temperature.

Procedure to be used for limiting the maximum room temperature:

Remove the frame cover, then loosen the two screws which eventually will be used for securing the setting (see inset top). Set the graduated scale cap to the required number. Then remove one of the limiting pegs provided and insert it in a slot behind the graduated scale cap, directly to the right from the 'stop rib' (see inset bottom). Finally replace the frame cover.

The procedure for limiting the minimum room temperature is similar to the one described above, however the limiting peg must be inserted directly to the left of the 'stop rib'.

In order to lock the set temperature, insert the limiting pegs on both sides of the 'stop rib'.