



oventrop

Uni DH, Direct-mounted
non-electric thermostat
Part No. _____

Job Name: _____

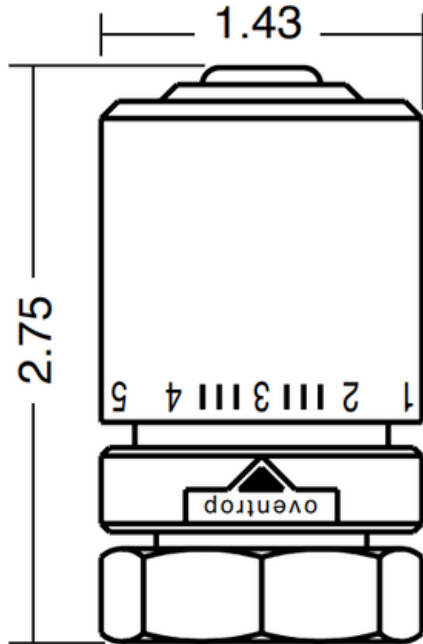
Submitted by: _____ Date: _____

Spec Section: _____

Job Location: _____

Engineer/Architect: _____

Approval: _____ Date: _____



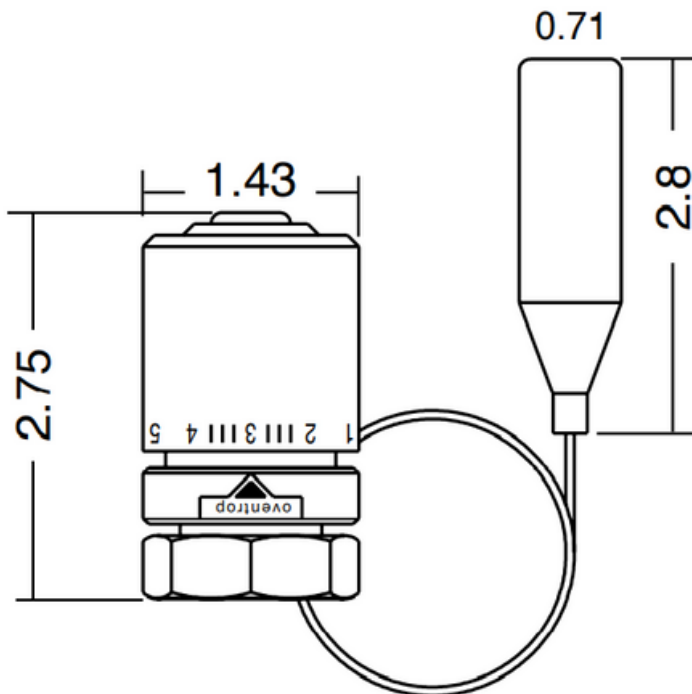
Product Specifications:

Direct mount thermostat with wax sensor. Ideally suited for steam applications.

Materials:
Fiber reinforced nylon

Specifications:
Adjustment range: 45°F - 82°F
Settings: 0 * 1 - 5
Sensor type: Wax
Ambient temperature range: 32°F-122°F
Maximum fluid temperature: 248°F

Items:
M30x1.5 connection 101 10 65
as above but with remote sensor
capillary 6.5 ft long 101 11 65



Job Name: _____

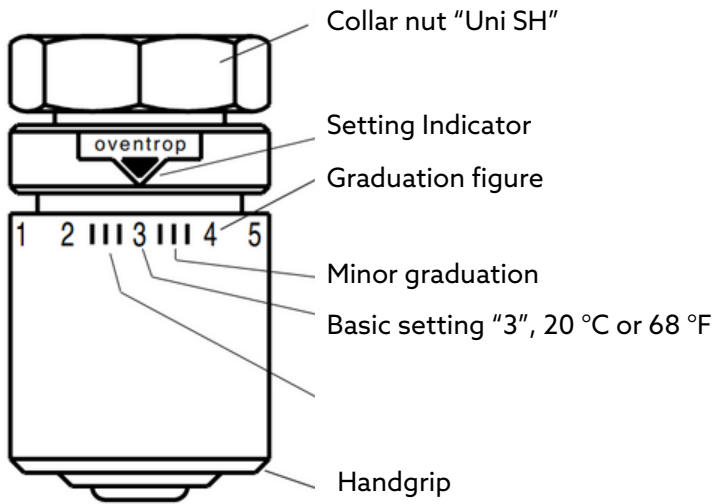
Submitted by: _____ Date: _____

Spec Section: _____

Job Location: _____

Engineer/Architect: _____

Approval: _____ Date: _____



Temperature Settings

0 = isolation of the radiator

⌘ = Frost protection symbol (in this position the valve opens automatically when room temperature drops below 7°C or 44°F.)

1 = 12°C or 54°F

2 = 16°C or 61°F

3 = 20°C or 68°F

4 = 24°C or 75°F

5 = 28°C or 82°F



The minor graduations between the figures 2 - 4 represent a change of room temperature of 1°C or about 2°F.