

Job Name: _____

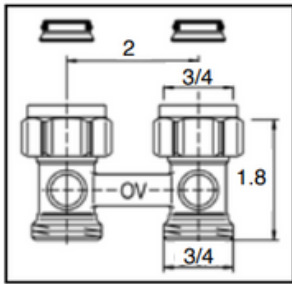
Submitted by: _____ Date: _____

Spec Section: _____

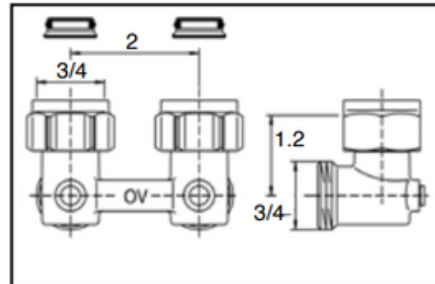
Job Location: _____

Engineer/Architect: _____

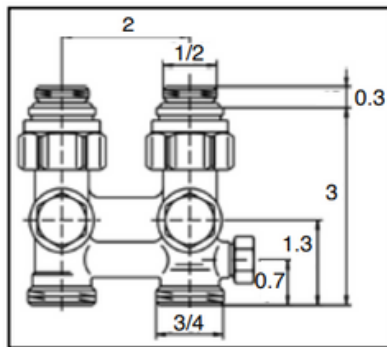
Approval: _____ Date: _____



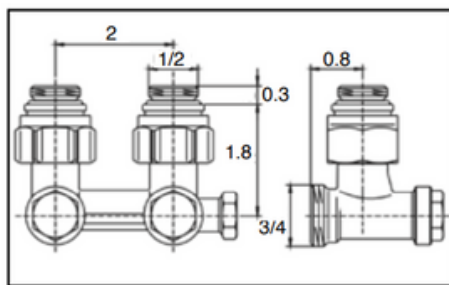
1



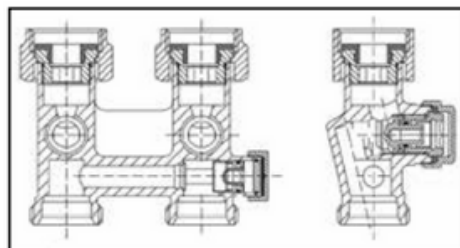
2



3



4



5



Specification:

The Oventrop connection "Multiflex" fittings are used for isolation or service of panel radiators with bottom connections. The fittings will attach to either a 3/4" male Euroconus or a 1/2" female thread connection radiator.

The isolation "Multiflex" radiator connection is used for quick connection and radiator isolation for twopipe heating systems (Item nos. 101 58 13 and 101 58 14).

The diverting "Multiflex" radiator connection can be used for radiators in a one-pipe heating loop, or two-pipe systems (the bypass is factory-set to 35%) and is used for isolation, filling and draining.

Body made of nickel plated brass.
Working temperature range: 36 - 248°F,
for short periods temperatures up to 266°F.
Maximum working pressure: 145 psi.

Models:

- | | |
|---|-----------|
| 1 Straight pattern
for isolation | 101 58 13 |
| 2 Angle pattern
for isolation | 101 58 14 |
| 3 Straight pattern
for isolation, diverting,
filling and draining | 101 59 33 |
| 4 Angle pattern
for isolation, diverting,
filling and draining | 101 59 34 |

Job Name: _____

Submitted by: _____ Date: _____

Spec Section: _____

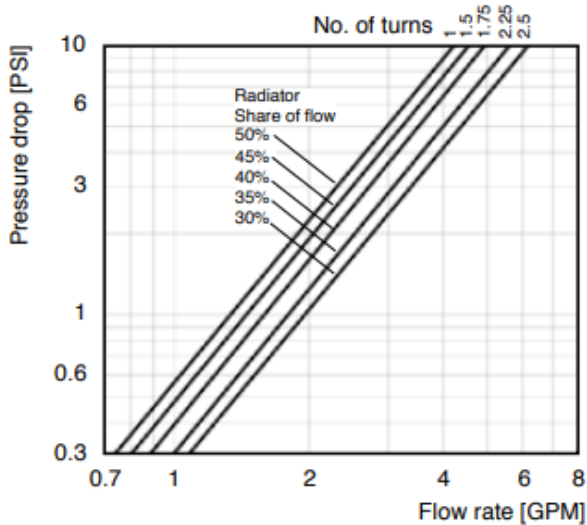
Job Location: _____

Engineer/Architect: _____

Approval: _____ Date: _____



2 Bypass turns to ratio radiator share



Specification

1. Adapter

1/2" x 3/4" all male thread

102 82 53

2. Bypass share

3. Balancing chart per side

Accessory fittings

"Euroconus" fittings for "Multiflex" valves

Sold in pairs

Copper compression fittings

1/2" inch copper
with soft seal rubber

101 68 44

1/2" inch copper
with brass compression

101 68 64

PEX compression fittings

3/8-inch PEX

101 68 49

1/2-inch PEX

101 68 50

5/8-inch PEX

101 68 51