

Job Name: _____

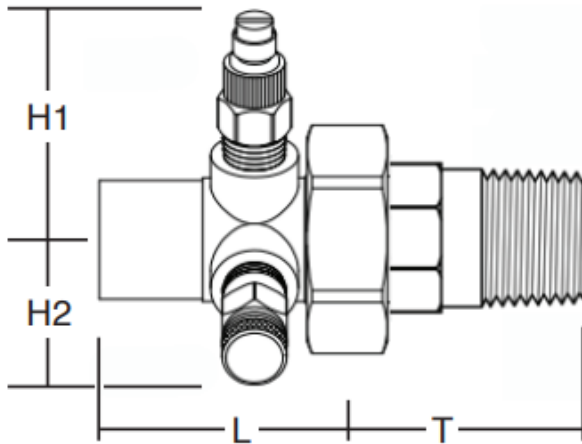
Submitted by: _____ Date: _____

Spec Section: _____

Job Location: _____

Engineer/Architect: _____

Approval: _____ Date: _____



Specification

Oventrop union for the return side of a fan coil unit or air handler. The fixed connection of the union is female or sweat. The union connection is available on the control valve side.

Union made of forged brass, O-ring seal for union
The union has an airvent and a pressure test point

Maximum working temperature: 250°F
Maximum working pressure: 600 psi / CWP

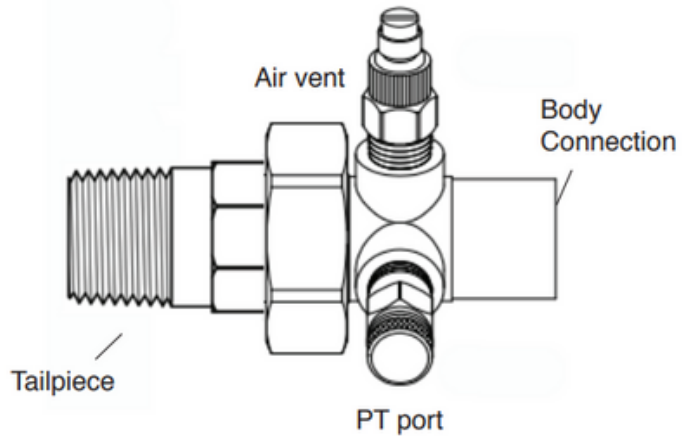
Coil Kit Dimensions in Inches

Dimensions		Union Kit Sizes and Dimensions					
		Union Body Size					
		1/2"	3/4"	1"	1 1/4"	1 1/2"	2"
H1		2.1	2.1	2.3	2.5	2.6	2.9
H2		1.8	1.9	2.0	2.3	2.3	2.6
L	FNPT	1.99	2.04	2.15	2.39	2.39	2.49
	SWT	1.88	2.12	2.28	2.56	2.69	3.03
T	1/2" Union Connection	FNPT	0.83	0.83	-	-	-
		MNPT	1.5	1.5	1.5	-	-
		SWT	0.83	0.87	-	-	-
	3/4" Union Connection	FNPT	-	0.83	-	-	-
		MNPT	-	1.56	1.56	1.8	1.8
		SWT	-	0.98	0.98	-	-
	1" Union Connection	FNPT	-	-	1.4	-	-
		MNPT	-	-	1.75	1.8	1.8
		SWT	-	-	1.0	-	-
	1 1/4" Union Connection	FNPT	-	-	-	1.0	-
		MNPT	-	-	-	1.8	1.8
		SWT	-	-	-	1.43	-
	1 1/2" Union Connection	FNPT	-	-	-	-	1.75
		MNPT	-	-	-	-	1.8
		SWT	-	-	-	-	1.17
	2" Union Connection	FNPT	-	-	-	-	-
		MNPT	-	-	-	-	1.98
		SWT	-	-	-	-	1.5



Size	Item Number
1/2"	802 1 _ _ _ _
3/4"	802 2 _ _ _ _
1"	802 3 _ _ _ _
1 1/4"	802 4 _ _ _ _
1 1/2"	802 5 _ _ _ _
2"	802 6 _ _ _ _

Example valve selection:
1 1/4" SWT valve with 3/4" MNPT tailpiece
Item number - 802 4223



for SWT body valves		
Item	Connection	Item
4213	1/2" MNPT	52
4223	3/4" MNPT	52
4233	1" MNPT	52
4241	1 1/4" FNPT	52
4242	1 1/4" SWT	52

Isolator body and tailpiece designations for FNPT body valves

1/2" Body Tailpieces		3/4" Body Tailpieces		1" Body Tailpieces		1 1/4" Body Tailpieces		1 1/2" Body Tailpieces		2" Body Tailpieces	
Item	Connection	Item	Connection	Item	Connection	Item	Connection	Item	Connection	Item	Connection
1111	1/2" FNPT	2111	1/2" FNPT	3113	1/2" MNPT			5123	3/4" MNPT	6133	1" MNPT
1112	1/2" SWT	2112	1/2" SWT	3122	3/4" SWT	4123	3/4" MNPT	5133	1" MNPT	6143	1 1/4" MNPT
1113	1/2" MNPT	2113	1/2" MNPT	3123	3/4" MNPT	4133	1" MNPT	5143	1 1/4" MNPT	6153	1 1/2" MNPT
		2121	3/4" FNPT	3131	1" FNPT	4141	1 1/4" FNPT	5151	1 1/2" FNPT	6161	2" FNPT
		2122	3/4" SWT	3132	1" SWT	4142	1 1/4" SWT	5152	1 1/2" SWT	6162	2" SWT
		2123	3/4" MNPT	3133	1" MNPT	4143	1 1/4" MNPT	5153	1 1/2" MNPT	6163	2" MNPT

Isolator body and tailpiece designations for SWT body valves

1/2" Body Tailpieces		3/4" Body Tailpieces		1" Body Tailpieces		1 1/4" Body Tailpieces		1 1/2" Body Tailpieces		2" Body Tailpieces	
Item	Connection	Item	Connection	Item	Connection	Item	Connection	Item	Connection	Item	Connection
1211	1/2" FNPT	2211	1/2" FNPT	3213	1/2" MNPT			5223	3/4" MNPT	6233	1" MNPT
1212	1/2" SWT	2212	1/2" SWT	3222	3/4" SWT	4223	3/4" MNPT	5233	1" MNPT	6243	1 1/4" MNPT
1213	1/2" MNPT	2213	1/2" MNPT	3223	3/4" MNPT	4233	1" MNPT	5243	1 1/4" MNPT	6253	1 1/2" MNPT
		2221	3/4" FNPT	3231	1" FNPT	4241	1 1/4" FNPT	5251	1 1/2" FNPT	6261	2" FNPT
		2222	3/4" SWT	3232	1" SWT	4242	1 1/4" SWT	5252	1 1/2" SWT	6262	2" SWT
		2223	3/4" MNPT	3233	1" MNPT	4243	1 1/4" MNPT	5253	1 1/2" MNPT	6263	2" MNPT