

Job Name: _____

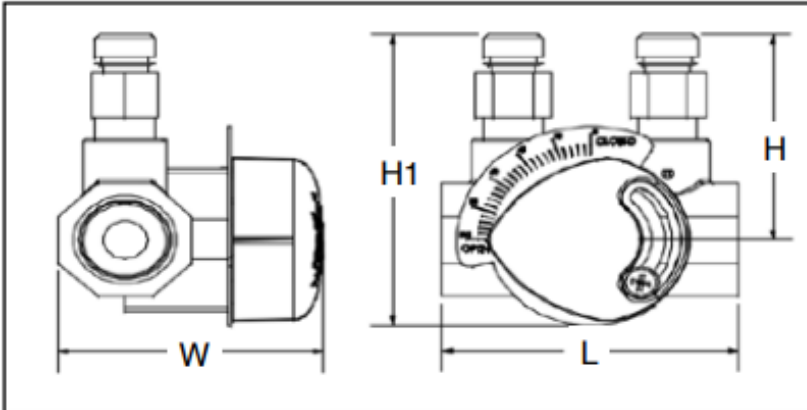
Submitted by: _____ Date: _____

Spec Section: _____

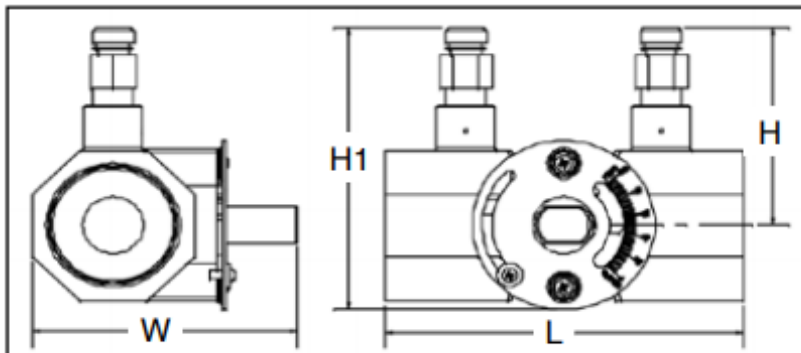
Job Location: _____

Engineer/Architect: _____

Approval: _____ Date: _____



1/2" - 1"



1/4" - 2"



Specification:

The Lead free CS balancing valve is a ball valve style valve made of a low lead brass body and a nickel plated brass ball. It is available in sizes from 1/2" to 2" with either FNPT or solder connections. The valve comes standard with two pressure test ports. These valves are compliant with ANSI/NSF 372.

Maximum working temperature: 250°F

Maximum working pressure: 400 psi

Item:

1/2" FNPT	1660904
3/4" FNPT	1660906
1" FNPT	1660908
1-1/4" FNPT	1660910
1-1/2" FNPT	1660912
2" FNPT	1660916

1/2" SWT	1660951
3/4" SWT	1660952
1" SWT	1660953
1-1/4" SWT	1660954
1-1/2" SWT	1660955
2" SWT	1660956

Coil Kit Dimensions in Inches

Dimension	1/2"	3/4"	1"	1 1/4"	1 1/2"	2"
L - FNPT	2.9	3.1	3.8	4.4	4.4	5.1
L - SWT	2.9	3.5	4.3	4.9	5.2	6.3
H	2.0	2.1	2.2	2.4	2.5	2.8
H1	2.9	3.0	3.0	3.5	3.6	4.2
W	2.3	2.3	2.8	3.3	3.5	4.1
Cv	1.6	3.1	8.1	17.0	27.0	40.0

Installation Notes

When installing the balancing valve, flow direction is universal.

*Contains less than 0.25% lead content by weight on wetted surfaces. IAPMO R&T certified: AB1953; Vermont S152; Maryland House Bill 372 (Statute 12-605). ANSI/NSF-61 Annex G Compliant

Job Name: _____

Submitted by: _____ Date: _____

Spec Section: _____

Job Location: _____

Engineer/Architect: _____

Approval: _____ Date: _____

Recommended flow range

"Low lead CS" Manual Balancing Valve		
Size	Recommended Flow range [GPM]	Connection ends
1/2"	0.7 - 3.0	FNPT x FNPT Sweat x Sweat
3/4"	1.3 - 5.9	
1"	3.4 - 15.4	
1 1/4"	7.2 - 32.3	
1 1/2"	11.5 - 51.3	
2"	17.0 - 76.0	



Cv table for various settings

Percent open	1/2"	3/4"	1"	1 1/4"	1 1/2"	2"
20	-	-	-	1.4	2.0	1.8
30	-	0.6	1.0	3.7	6.9	9
40	0.7	1.4	1.7	7.4	11	17
50	1.2	2.3	4.4	12	18	27
60	1.7	3.2	6.2	17	28	44
70	2.5	4.7	9.2	25	40	64
80	-	-	-	37	61	90
100	5.4	10.5	28	58	90	140