

Job Name: _____

Submitted by: _____ Date: _____

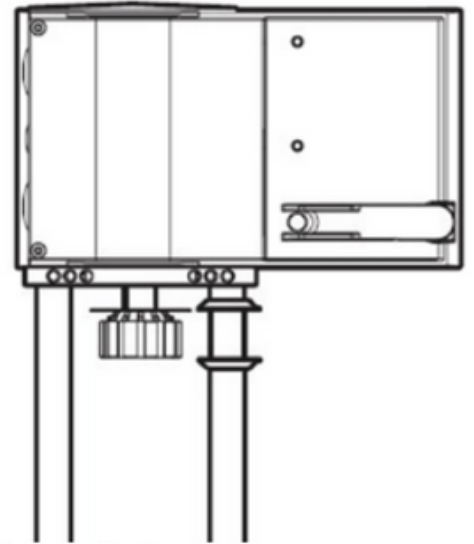
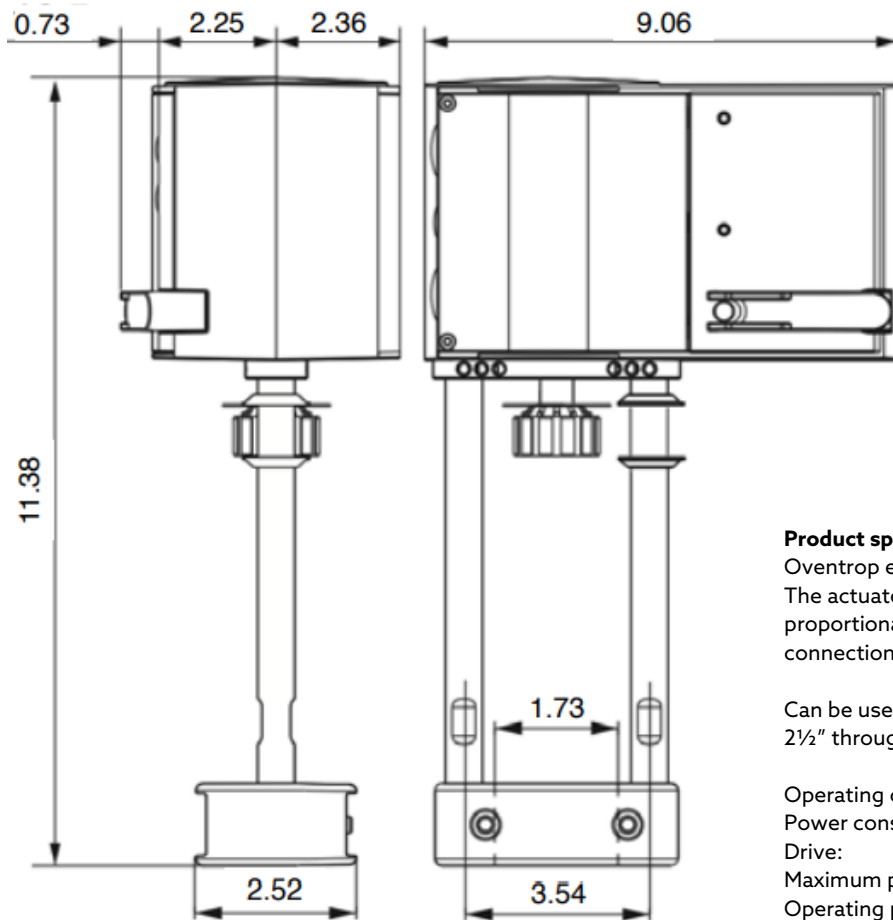
Spec Section: _____

Job Location: _____

Engineer/Architect: _____

Approval: _____ Date: _____

All dimensions are in inches



Product specification:

Oventrop electromotive actuator for steady control. The actuator can be used for two-point, three-point or proportional control (0-10 V or 4-20 mA), with squeeze connection. Type of characteristic line is adjustable.

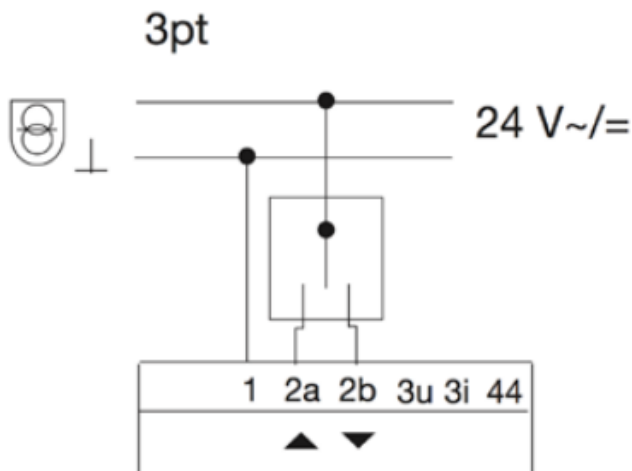
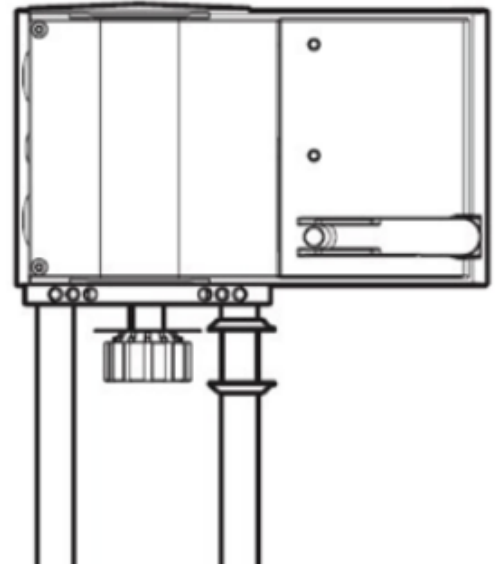
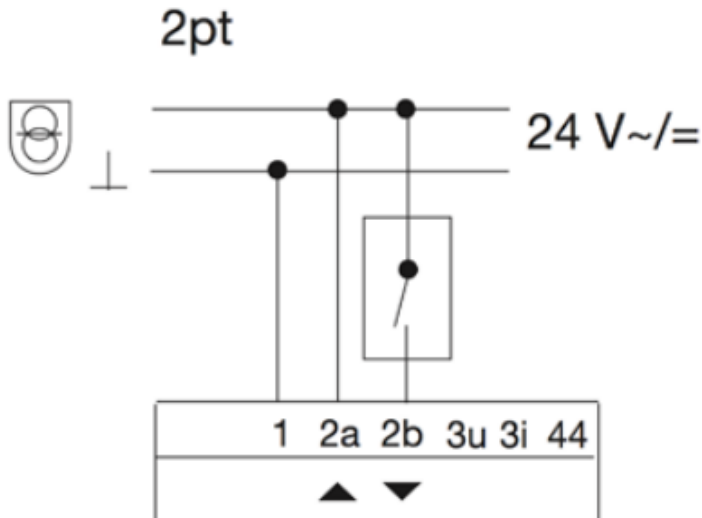
Can be used with:
2½" through 6" Cocon Q valves

Operating current:	24 V ~/=
Power consumption:	10 W
Drive:	0 - 10 V or 4 - 20 mA
Maximum piston stroke:	40 mm (1.57 inch)
Operating power:	2500 N (562 lbf)
Floating time:	2 / 4 / 6 s/mm (51 / 102 / 152 s/inch)

Protection:	IP 66 (NEMA 4X)
Maximum fluid temperature:	248 °F
Ambient temperature:	14 °F - 131 °F
Storage temperature:	14 °F - 131 °F

Description	Item Number
24V actuator	215 80 30
24V actuator with spring return	115 80 31

All dimensions are in inches



1- Wiring diagram for two point control

2 - Wiring diagram for three point control

3 - Wiring diagram for proportionsl control

