

Job Name: _____

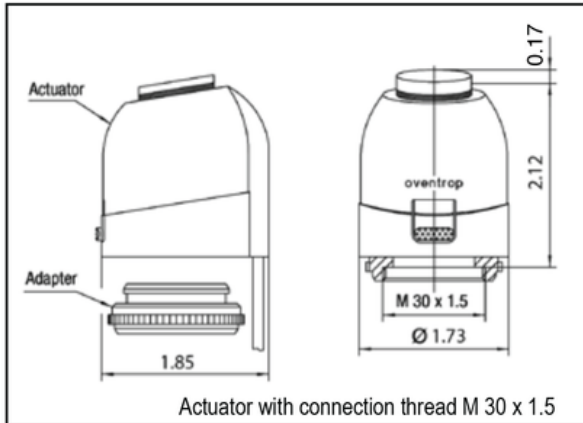
Job Location: _____

Submitted by: _____ Date: _____

Spec Section: _____

Engineer/Architect: _____

Approval: _____ Date: _____



Dimensions in inches



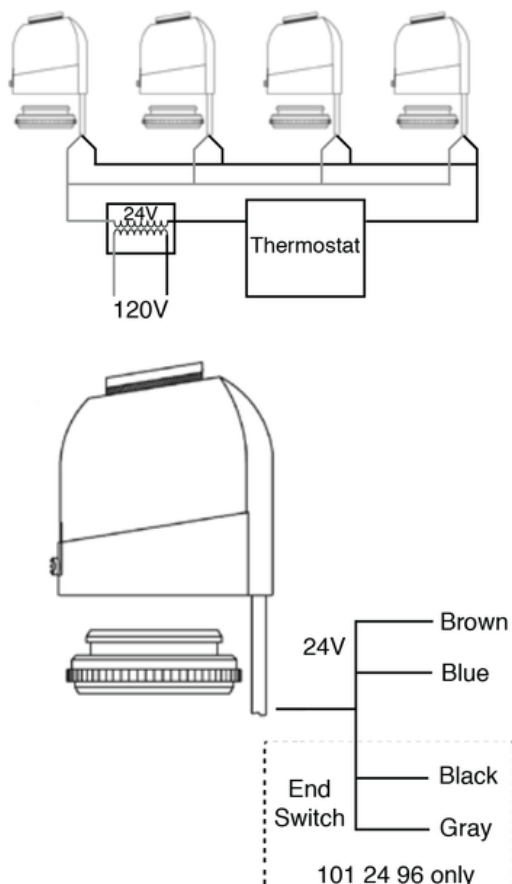
Specifications

The Oventrop actuators operate with an expansion type lowpower element which is electrically heated for silent operation. Available as 2- and 4-wire models "normally closed," and 2-wire model "normally open." The actuator can be installed in any position. No tools are necessary for installing the actuator.

START-UP

All actuators are supplied OPEN from the factory.

The actuators must be powered for 10 minutes off the valve prior to installation for proper operation.



Actuator connection thread:	M 30 x 1.5
	24V AC/DC
Operating current:	250 mA [6 W]
Start up load:	for a maximum of 2 min. 75 mA
Current:	
Maximum end switch current:	24V AC 5A 24V DC 3A
Closing/opening time:	
Piston stroke:	about 3 min.
Operating power:	4.5 mm (0.17 in.)
Fluid temperature:	> 90 N (20.2 lbs.)
Max. Steam Pressure:	32 °F - 212 °F
Ambient temperature:	14 Psi
Connecting cable:	32 °F - 140 °F 18 AWG / 3 ft.

Models:

Closed with current "off"/4-wire with auxilliary end switch	101 24 96
Closed with current "off"/2-wire	101 24 16
Open with current "off"/2-wire	101 24 26

Job Name: _____

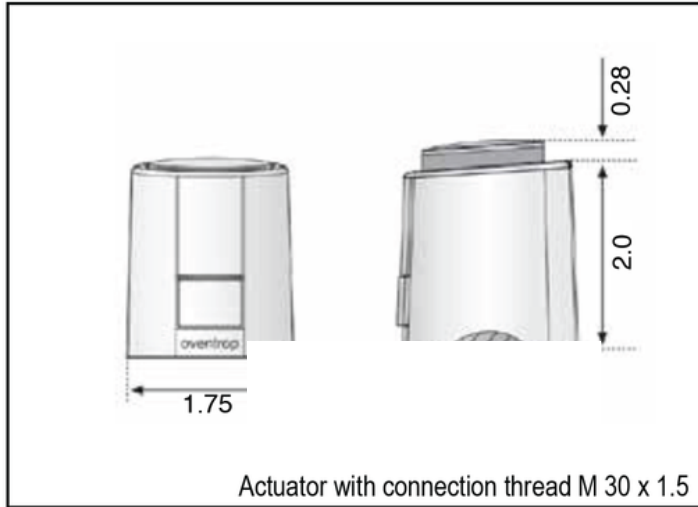
Submitted by: _____ Date: _____

Spec Section: _____

Job Location: _____

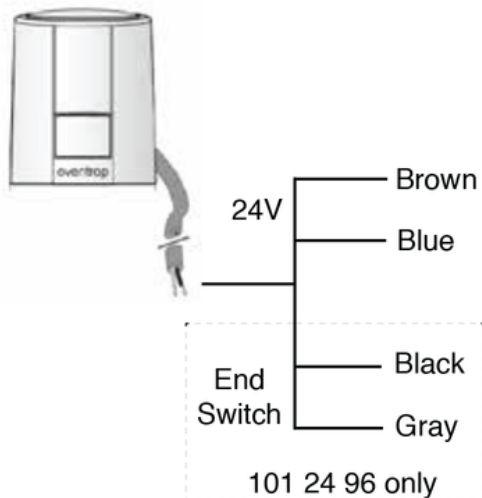
Engineer/Architect: _____

Approval: _____ Date: _____



Specifications

The Oventrop actuators operate with an expansion type lowpower element which is electrically heated for silent operation. Available as 2- and 4-wire models "normally closed," and 2-wire model "normally open." The actuator can be installed in any position. No tools are necessary for installing the actuator. The normally closed actuators contain a "first-open" function and are supplied from the factory open with current "off." This allows the operation of the heating system during construction work even if the wiring to the actuator has not been installed. During initial operation, the "first-open" function is released automatically by switching the operating current on for more than 6 minutes. Once the "first-open" function has been completed, the valve will be closed with the current off.



Actuator connection thread:	M 30 x 1.5
Operating current:	24V AC/DC
Start up load:	250 mA [6 W] for a maximum of 2 min.
Current:	75 mA
current:	Maximum end switch 24V AC 5A 24V DC 3A
Closing/opening time:	about 3 min.
Piston stroke:	4.5 mm (0.17 in.)
Operating power:	> 90 N (20.2 lbs.)
Fluid temperature:	32 °F - 212 °F
Max. Steam Pressure:	14 Psi
Ambient temperature:	32 °F - 140 °F
Connecting cable:	18 AWG / 3 ft.

Models:

Closed with current "off"/4-wire with auxilliary end switch	101 24 96
Closed with current "off"/2-wire	101 24 16
Open with current "off"/2-wire	101 24 26



Job Name: _____

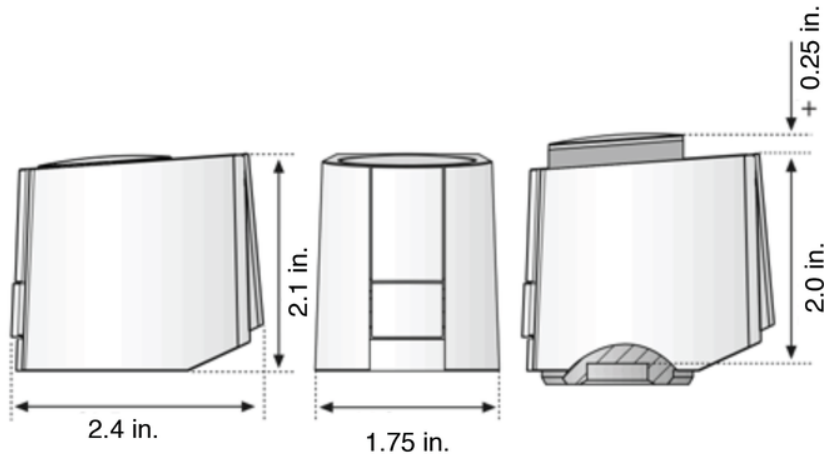
Submitted by: _____ Date: _____

Spec Section: _____

Job Location: _____

Engineer/Architect: _____

Approval: _____ Date: _____



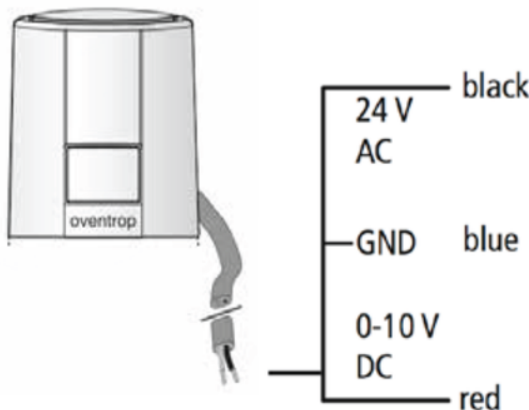
Product specification:

24V powered, 0-10V proportional actuator for use with three-way mixing valves and two-way control valves.

Can be used with:

- Oventrop three-way mixing valves
- Oventrop Cocon-Q automatic balancing and control valve
- Manifold distributor

Wiring Diagram



Connection:	M30x1.5 thread
Operating Voltage:	24V +40 / -10%
Control Voltage:	0 to 10VDC
Operating Capacity:	2W
Stroke:	4 mm (5/32")
Mean floating time:	30 s/mm
Spring strength:	100 N (tolerance +/-5%)
Ambient temperature:	32°F - 140°F
Connection cable:	AWG24 - 3 wire, 3 ft.

Normally closed for two-way valves



Job Name: _____

Submitted by: _____ Date: _____

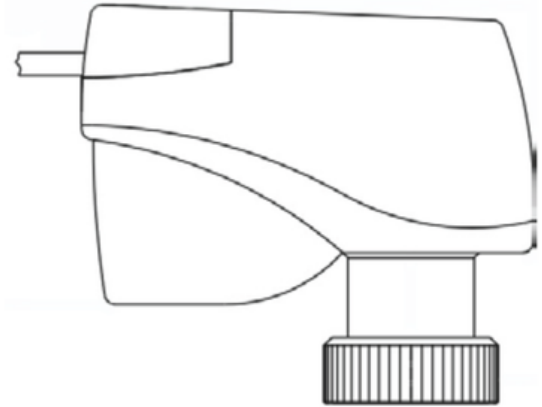
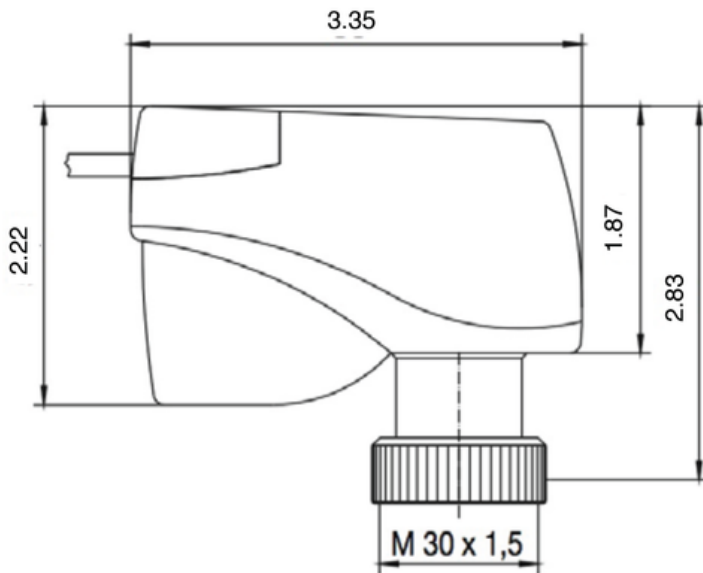
Spec Section: _____

Job Location: _____

Engineer/Architect: _____

Approval: _____ Date: _____

All dimensions are in inches



Product specification:

24V powered, 0-10V proportional actuator for use with three-way mixing valves and two-way control valves.

Can be used with:

- Oventrop three-way mixing valves
- Oventrop Cocon-Q automatic balancing and control valve
- Manifold distributor

Connection:	M30x1.5 thread
Operating Voltage:	24V +/- 15%
Power consumption:	0.8 W active 2.5 VA
Stroke:	4 mm
Operating speed:	approx. 15 s/mm
Spring strength:	> 150 N
Ambient temperature:	max. 120F
Air humidity:	non-condensing
Connection cable:	AWG22

Normally closed for two-way valves

Item:	Item Number
0-10V, 2-point, and 3-point	1012705
0-10V with position feedback	1012706

Job Name: _____

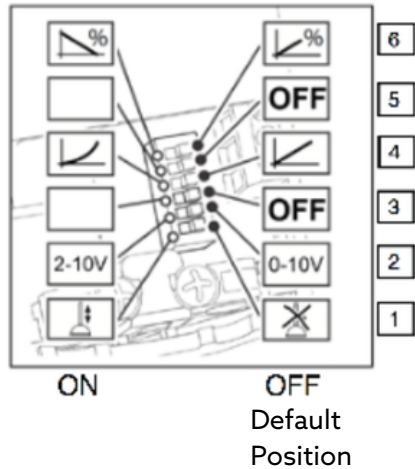
Submitted by: _____ Date: _____

Job Location: _____

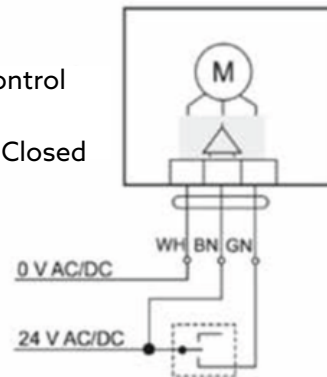
Spec Section: _____

Engineer/Architect: _____

Approval: _____ Date: _____

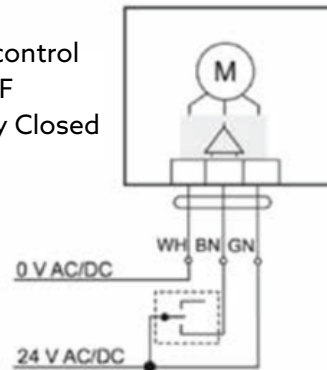


2-point control
ON / OFF
Normally Closed

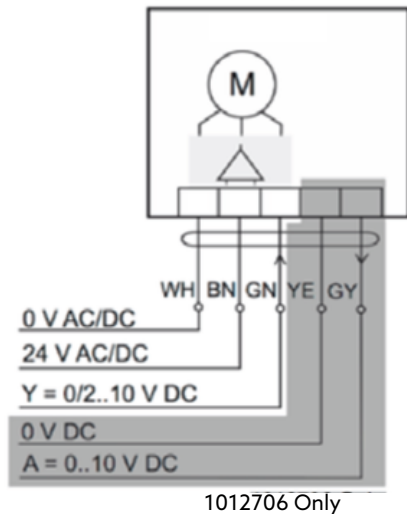


Switch Number	Dipswitch Position	
	ON	OFF
6	0(2) - 10V drives closed	0(2) - 10V drives open
5	Empty	
4	Equal Percentage Characteristic	Linear Characteristic
3	Empty	
2	2 - 10V control	0 - 10V control
1	Anti-blocking function On	Anti-blocking function Off

2-point control
ON / OFF
Normally Closed



**Wiring Diagram
1012705 / 1012706**



3-point control
Brown = Drive Closed
Green = Drive Open

