

Job Name: _____

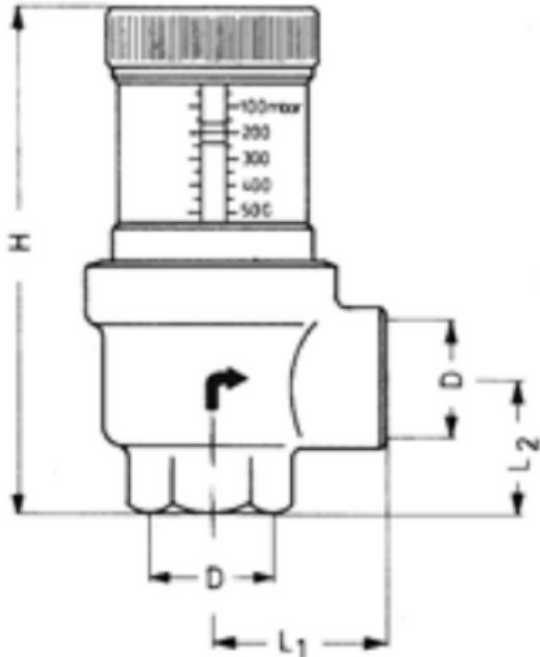
Submitted by: _____ Date: _____

Spec Section: _____

Job Location: _____

Engineer/Architect: _____

Approval: _____ Date: _____


Product specification:

By installing a differential pressure relief valve, flow noises are prevented in hydronic heating systems, when operating during low demand periods.

A minimum volume of circulating water is maintained in installations at times of "no demand", i.e. when TRVs or zone valves are closed. This prevents the pump from entering stall conditions. The differential pressure relief valve is installed in the bypass pipe between supply and the return pipe.

The bypass is opened with the pump head exceeding the set value of the differential pressure relief valve.

Control range: 2 - 17 fthd
(0.87 and 7.36 PSI)
 Maximum working pressure: 145 PSI
 Maximum temperature: 248 °F

Size:	Flow Range:	Item Number:
¾"	0 - 8.7 GPM	165 98 06
1"	0 - 13.5 GPM	165 98 08
1¼"	13.5 - 26.9 GPM	165 98 10

Setting instructions:

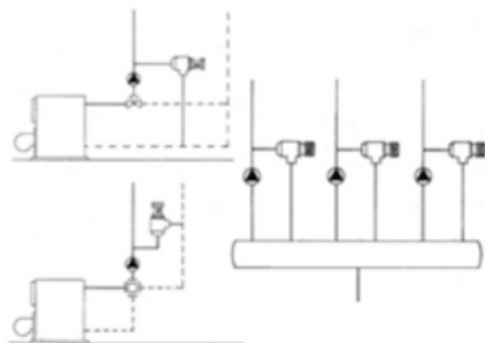
1. With the circulator pump running, open all circuit valves (remove actuators) or zone valves.
2. Set PD bypass valve to lowest pressure setting - knob turned out all the way. There should be flow through the valve at this point.

If there is no flow, valve is set.

3. Gradually turn down the knob until the PD bypass valve just closes. You should be able to feel the flow through the valve stop, as the pipe cools. This is the proper setting.

In operation, when any circuit actuator or zone valve closes, the PD bypass valve will begin to open to allow bypass flow.

Item	Size	H	L1	L2	D
165 98 06	¾"	4.70	1.57	1.36	¾"
165 98 08	1"	5.06	1.91	1.57	1"
165 98 10	1¼"	5.33	2.22	1.81	1¼"



Installation Examples